

Multi-Port 3-way Threaded Ball Valves



W. T. Maye, Inc.

1-877-705-9864

info@wtmi-usa.com

www.wtmi-usa.com

www.shopwtmi.com

Bottom Flow / Tri-Pro Series

Models No:

Full Bore: 3W-HPF
Reduced Bore: 3W-HPS

Size 1/2" - 2"
Pressure Rating:
1500 WOG

Stainless or Carbon Steel
NPT, SW or BW
Class 600 Flanged Ends

Weld End Type Valves can be
welded without disassembly

Optional: SS Body with Carbon
Steel End Connections



Plan O



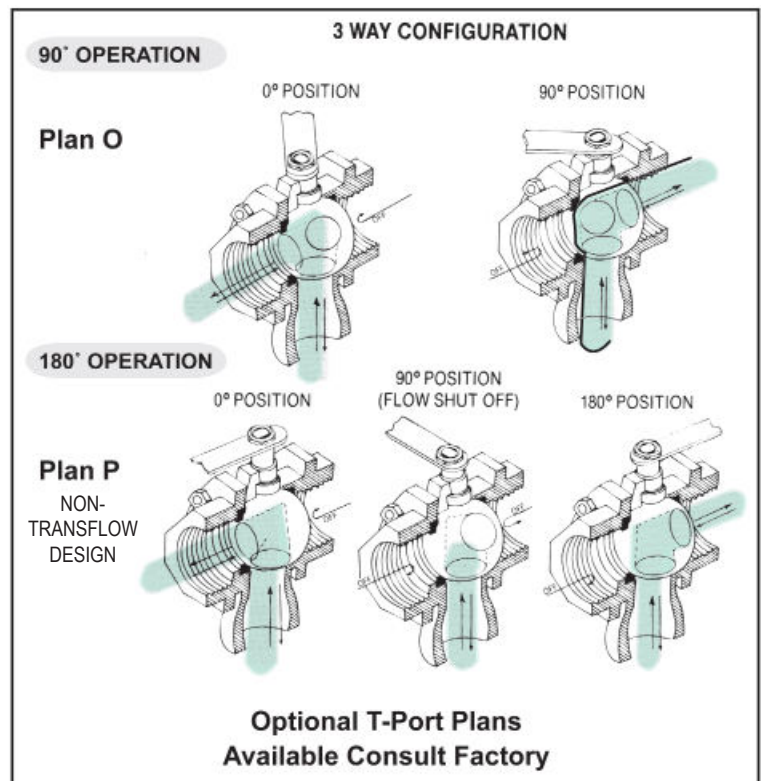
Plan P



NON-TRANSFLOW DESIGN

Flow can't occur across the outlets during position change. And there will be very little mixing of products. The valve requires 180° rotation, with line flow shut off at the inlet (bottom port) at 90° rotation, and full diverter flow resumed to the other outlet port at 180° rotation.

FLOW PATTERNS

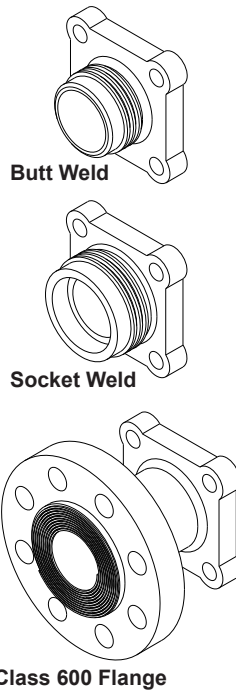
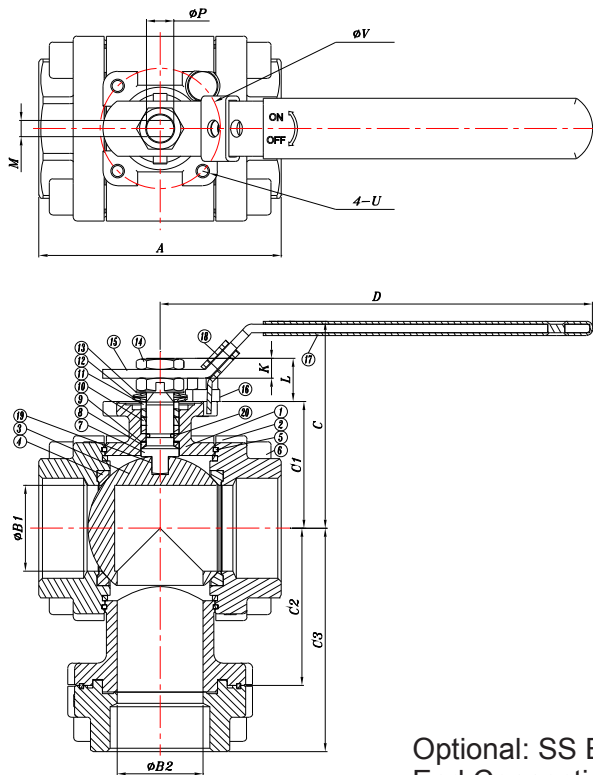


FLO-TITE'S BOTTOM FLOW SERIES

Provides Engineers greater design flexibility making the flo-tite valve a valuable choice for a multitude of applications

Additional Valve Design Specifications can be found in Tech Bulletin 51 in General Catalog

Design and Technical Data



Model Numbers:
Full Port: 3W-HPF
Reduced Port: 3W-HPS

Optional: SS Body with Carbon Steel End Connections

All carbon steel valves are available on request

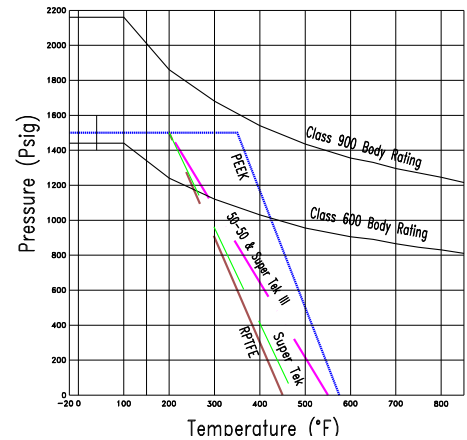
Additional Technical Information can be found in Tech Bulletin 51 in General Catalog

Materials of Construction

NO	PART NAME	MATERIAL
1	BODY	ASTM A351 CF8M
2	CAP	ASTM A351 CF8M
3	BALL	ASTM A351 CF8M
4	SEAT	TFM
5	GASKET	TFM
6	BOLT	SS316
7	STEM	17-4PH
8	THRUST BEARING	Carbon Filled PTFE
9	THRUST WASHER	50%SS316 PTFE
10	STEM PACKING	GRAPHITE
11	PACKING FOLLOWER	SS304
12	BELLEVILLE WASHER	SS301
13	LOCK WASHER	SS304
14	STEM NUT	SS304
15	HANDLE	SS304
16	STOPPER	SS304
17	PLASTIC COVER	PLASTIC
18	LOCK DEVICE	SS304
19	ANTI-STATIC	SS316
20	O-RING	VITON

Note: Stainless Steel Welding End Material ASTM A351 CF3M

Pressure/Temperature Chart



Dimensions and Weights: Full Port 3W-HPF

SIZE	A				C3									ISO Pad	Torque in-lb	Weight Lb					
	NPT	SW/BW	Class 600 Flanged	B1	B2	C	C1	C2	NPT	SW/BW	Class 600 Flanged	K	L				M	P	U	V	Cv
1 1/2"	2.91	4.89	6.50	0.59	0.39	2.69	1.54	1.83	2.80	3.78	4.59	0.28	0.53	0.25	0.47	#10-24unc	1.42	7	F04	90	2.7
3 3/4"	3.46	5.24	7.58	0.79	0.79	2.85	1.70	2.24	3.35	4.24	5.40	0.28	0.53	0.25	0.47	#10-24unc	1.42	15	F04	147	4.2
1"	3.70	5.24	8.50	0.98	0.79	3.44	2.06	2.54	3.78	4.55	6.18	0.44	0.74	0.315	0.55	1/4-20unc	1.65	15	F05	200	6.0
1 1/2"	4.61	6.19	9.50	1.58	1.26	4.24	2.65	3.01	4.41	5.20	6.86	0.53	0.88	0.374	0.63	5/16-18unc	1.97	40	F07	452	12.0
2"	5.55	6.98	11.85	1.97	1.97	4.49	2.90	3.60	5.12	5.83	8.27	0.53	0.88	0.374	0.63	5/16-18unc	1.97	108	F07	588	20.0

Dimensions and Weights: Reduced Port 3W-HPS

SIZE	A				C3									ISO Pad	Torque in-lb	Weight Lb					
	NPT	SW/BW	Class 600 Flanged	B1	B2	C	C1	C2	NPT	SW/BW	Class 600 Flanged	K	L				M	P	U	V	Cv
3 3/4"	3.11	4.89	c/f	0.59	0.39	2.69	1.54	1.83	2.89	3.78	c/f	0.28	0.53	0.25	0.47	#10-24unc	1.42	5	F04	90	2.7
1"	3.70	5.24	c/f	0.79	0.79	2.85	1.70	2.24	3.46	4.24	c/f	0.28	0.53	0.25	0.47	#10-24unc	1.42	12	F04	147	4.2
2"	4.76	6.19	c/f	1.58	1.26	4.24	2.65	3.01	4.41	5.20	c/f	0.53	0.88	0.374	0.63	5/16-18unc	1.97	36	F07	452	12.0