

Series D65/D69

Automated Flanged Floating Ball Valve



Design Construction and Features

- ◇ Sizes ½" to 8"
- ◇ ULTRA Seat Material
- ◇ Available in CF8M and WCB Body Material
- ◇ 2-Piece Body
- ◇ ANSI Class 150
- ◇ Flanged Ends
- ◇ ISO 5211 Direct Mounting Pad
- ◇ 3-Year Warranty
- ◇ MTR's Available
- ◇ Traceability with Serial Numbers
- ◇ Live Loaded Graphite Stem Packaging
- ◇ Fully Adjustable Packing Gland with Actuator Mounted
- ◇ 2 External Travel Stops on Actuator



Temperature Limits

MATERIAL		TEMPERATURE LIMITS	
		LOWER LIMIT	UPPER LIMIT
BODY	WCB	-20°F (-29°C)	800°F (425°C)
	CF8M	-320°F (-196°C)	1000°F (538°C)
SEAT	ULTRA	-58°F (-50°C)	500°F (260°C)
SEAL	HNBR	-50°F (-46°C)	300°F (149°C)
	VITON®	-5°F (-21°C)	392°F (200°C)

Note: These ratings are a guide for general service.
Please consult DelVal for specific recommendations.

W.T. Maye, Inc. (WTMI)
1-877-705-9864
info@wtmi-usa.com
www.wtmi-usa.com

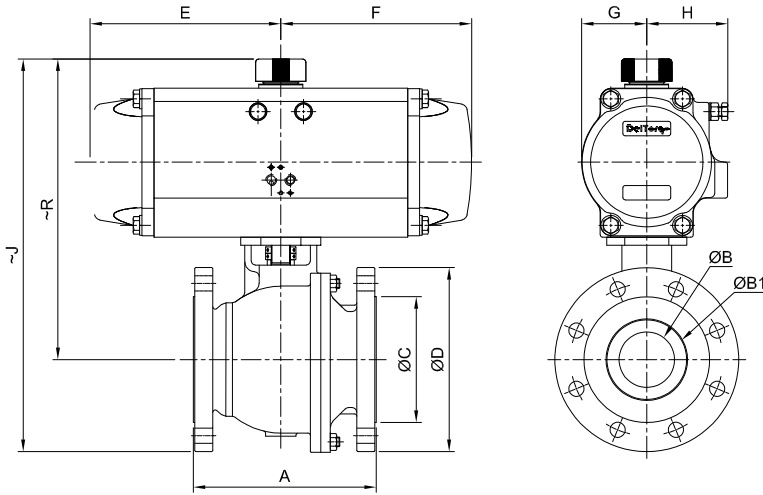
Actuator Sizing Charts (D65 Class 150 Full Port)

AIR SUPPLY PRESSURE 80 PSI																		
VALVE SIZE	ACTUATOR MODEL	A	ØB	ØC	ØD	~R	E	F	G	H	~J	ACTUATOR MODEL	~R	E	F	G	H	~J
½"	055 SR	4.25	0.59	1.38	3.50	6.30	3.31	3.31	1.24	1.63	8.07	055 DA	6.30	3.31	3.31	1.24	1.63	8.07
¾"	055 SR	4.61	0.79	1.69	3.94	6.50	3.31	3.31	1.24	1.63	8.46	055 DA	6.50	3.31	3.31	1.24	1.63	8.46
1"	065 SR	5.00	0.98	2.01	4.33	7.48	4.18	4.18	1.44	1.90	9.65	065 DA	7.48	4.18	4.18	1.44	1.90	9.65
1½"	085 SR	6.50	1.50	2.87	4.92	9.06	5.39	5.39	1.87	2.52	11.61	065 DA	8.27	4.18	4.18	1.44	1.90	10.63
2"	085 SR	7.01	2.01	3.62	5.91	9.25	5.39	5.39	1.87	2.52	12.20	065 DA	8.46	4.18	4.18	1.44	1.90	11.42
2½"	100 SR	7.48	2.44	4.13	7.09	10.63	5.79	5.79	2.17	2.93	14.17	075 DA	9.65	4.63	4.63	1.63	2.29	13.19
3"	115 SR	7.99	2.99	5.00	7.48	11.81	6.89	6.89	2.48	3.29	15.55	085 DA	10.63	5.39	5.39	1.87	2.52	14.17
4"	150 SR	9.02	4.02	6.19	9.06	14.96	9.40	9.40	3.21	4.00	19.49	100 DA	12.40	5.79	5.79	2.17	2.93	16.93
6"	200 SR	10.51	5.91	8.50	11.02	19.69	12.64	12.64	4.29	5.35	25.20	150 DA	17.32	9.40	9.40	3.21	4.00	22.83
8"	250-08 SR 80	17.99	7.95	10.63	13.58	FOR DIMENSIONAL DETAILS CONTACT FACTORY						200 DA	22.83	12.64	12.64	4.29	5.35	29.61

Actuator Sizing Charts (D69 Class 150 Reduced Port)

AIR SUPPLY PRESSURE 80 PSI																			
VALVE SIZE	ACTUATOR MODEL	A	ØB	ØB1	ØC	ØD	~R	E	F	G	H	~J	ACTUATOR MODEL	~R	E	F	G	H	~J
¾"	055 SR	4.61	0.59	0.79	1.69	3.94	6.30	3.31	3.31	1.24	1.63	8.27	055 DA	6.30	3.31	3.31	1.24	1.63	8.27
1"	055 SR	5.00	0.79	0.98	2.01	4.33	6.50	3.31	3.31	1.24	1.63	8.66	055 DA	6.50	3.31	3.31	1.24	1.63	8.66
1½"	065 SR	6.50	0.98	1.50	2.87	4.92	7.48	4.18	4.18	1.44	1.90	10.04	065 DA	7.48	4.18	4.18	1.44	1.90	10.04
2"	085 SR	7.01	1.50	2.01	3.62	5.91	9.06	5.39	5.39	1.87	2.52	12.01	065 DA	8.27	4.18	4.18	1.44	1.90	11.22
2½"	085 SR	7.48	2.01	2.44	4.13	7.09	9.25	5.39	5.39	1.87	2.52	12.80	065 DA	8.46	4.18	4.18	1.44	1.90	12.01
3"	100 SR	7.99	2.44	2.99	5.00	7.48	10.63	5.79	5.79	2.17	2.93	14.37	075 DA	9.65	4.63	4.63	1.63	2.29	13.19
4"	115 SR	9.02	2.99	4.02	6.19	9.06	11.81	6.89	6.89	2.48	3.29	16.34	085 DA	10.43	5.39	5.39	1.87	2.52	14.96
6"	150 SR	10.51	4.02	5.91	8.50	11.02	14.96	9.40	9.40	3.21	4.00	20.47	100 DA	12.40	5.79	5.79	2.17	2.93	17.91
8"	200 SR	17.99	5.91	7.95	10.63	13.58	19.69	12.64	12.64	4.29	5.35	26.57	150 DA	17.32	9.40	9.40	3.21	4.00	24.02

Dimensions D65/D69



Notes:

- ◇ All dimensions are in inches
- ◇ Actuator mounting parallel to pipeline
- ◇ Valve flow direction is bi-directional
- ◇ '~' Marked dimensions are indicative and may vary
- ◇ CF8M or WCB body, CF8M ball, 316 SS stem, ULTRA (high temp RTFE) seat, VITON® seal
- ◇ Consult factory for 60 psi air supply sizing and dimensions
- ◇ Actuator selections are based on products with standard materials and clean fluid only at ambient temperature.

Standards and Specifications

DelVal Series 65 & 69 Floating Ball Valves are designed and manufactured to meet the requirements of the following industry standards:

Design: API 6D, ASME B16.34

Face to Face: API 6D, ASME B16.10

Testing: API 6D, API 598, ISO 5208

Pressure Temperature: ASME B16.34

Flange Accommodation: ASME B16.5

NACE: ANSI/ASME MR 0175/ISO 15156-1

Fire Safe Certified: API 6FA /API 607

Compliance: PED 2014/68/EU

Body Style: Flanged end

Size Range: ½" to 8"

How to Order

Series	Valve Size	Valve Body	Actuator Type	Solenoid	Limit Switch	Other Options
XXX	XX	X	X	X	X	X
D65 = Class 150 FP	05 = 1/2" 07 = 3/4"	C = CS S = SS	80 psi Air Supply 1 = DA 2 = SR, FC 3 = SR, FO	0 = None 1 = WP, 120 VAC 2 = EXP, 120 VAC 3 = WP, 12 VDC 4 = EXP, 12 VDC	0 = None D = Standard DelVal Mechanical Switch X = Explosion Proof Mechanical Switch	0 = None M = Modulating Control (Electric) H = HNBR Seals
D69 = Class 150 RP	15 = 1.5" 20 = 2" 25 = 2.5" 30 = 3" 40 = 4" 60 = 6" 80 = 8"		60 psi Air Supply 4 = DA 5 = SR, FC 6 = SR, FO WP Electric Actuator 7 = 110 VAC	5 = WP, 24 VDC 6 = EXP, 24 VDC		



W.T. Maye, Inc. (WTMI)

1-877-705-9864

info@wtmi-usa.com

www.wtmi-usa.com

