

Control valve in straightway form for heating - Fig. 480

Control valve in 3-way-form for heating - Fig. 483

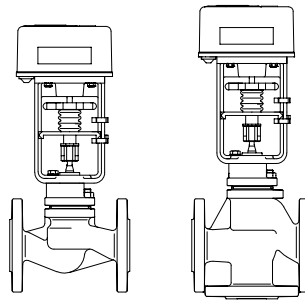
**ARI-STEVI® H 480 / 483**

**Electric actuator**

**ARI-PACO 0,85kN**

**ARI-PACO 2G 1,6kN**

- Motor voltage 24V/50Hz input signal 0-10 V
- Motor voltage 24/230V AC 3-step control
- Handwheel
- Travel indicator
- Additional devices available, e.g. potentiometer

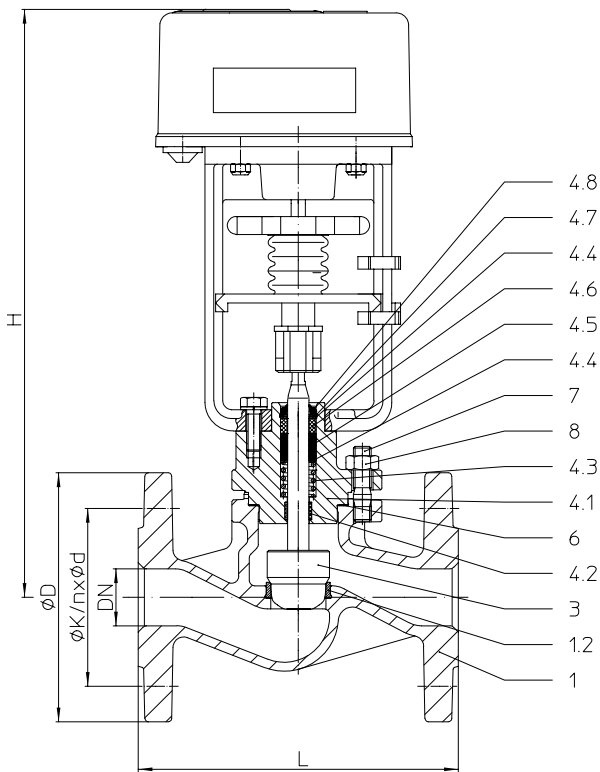


Page 2

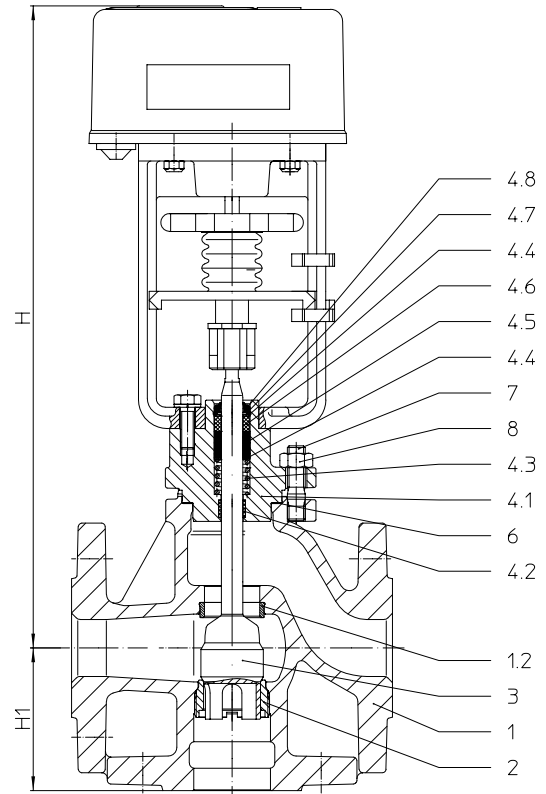
W. T. Maye, Inc. (WTMI)  
1-877-705-9864  
info@wtmi-usa.com  
www.wtmi-usa.com

Control valve for heating, ventilation and air-conditioning - straight through with flanges - Fig. 480

Control valve for heating, ventilation and air-conditioning - 3-way with flanges - Fig. 483


**Fig. 480 Straight through function**

A → B


**Fig. 483 Mixing function**

 AB ← A  
B

Figure	Nominal pressure	Material	Nominal diameter	Stem sealing	Temperature range
22.480	PN16	EN-JS1049	DN15-100	I. PTFE-V-ring unit	-10°C to +200 °C
23.480	PN25	EN-JS1049	DN15-100		
22.483	PN16	EN-JS1049	DN15-100	I. PTFE-V-ring unit	-10°C to +200 °C
23.483	PN25	EN-JS1049	DN15-100		

Other materials and versions on request.

Plug design	Guiding	Rangeability
standard:	Stem and seat guiding	Fig. 480: 50 : 1
• Parabolic plug	Port guiding	Fig. 483: 30 : 1
• Fig. 480 from DN80: V-port plug		
Flow characteristic		
standard	• Fig. 480: equal percentage	
	• Fig. 483: A equal percentage / B linear	
Shut off class (seat / plug leakage classes)		
Metal / Metal:	• Leakage class IV acc. to DIN EN 1349 or IEC 60534-4	

Technical data for actuator refer to data sheet.

DN	15	25	32	40	50	65	80	100			
<b>Kvs-value</b> <span style="float: right;">* only Fig. 480</span>											
Kvs-value	Parabolic plug / V-port plug	Standard	(m³/h)	4	10	16	25	40	63	100	160
		Reduced	(m³/h)	0,63* / 0,4*	2,5 / 1,6* / 1*	6,3					
Seat-Ø		(mm)	5	21	27	31	41	51	66	81	101
Travel		(mm)		15					30		

<b>Face-to-face dimension FTF series 1 according to DIN EN 558</b>										
L	(mm)	130	160	180	200	230	290	310	350	

<b>Flanges acc. to DIN EN 1092-2</b>			<b>Flange holes / -thickness tolerances acc. to DIN 2533/2544/2545</b>								
ØD	PN6	(mm)	80	100	120	130	140	160	190	210	
	PN16	(mm)	95	115	140	150	165	185	200	220	
ØK	PN6	(mm)	55	75	90	100	110	130	150	170	
	PN16	(mm)	65	85	100	110	125	145	160	180	
n x Ød	PN6	(mm)	4 x 11	4 x 11	4 x 14	4 x 14	4 x 14	4 x 14	4 x 18	4 x 18	
	PN16	(mm)	4 x 14	4 x 14	4 x 18	4 x 18	4 x 18	4 x 18	8 x 18	8 x 18	

<b>Heights</b>										
BR480	H	(mm)	327	335	335	346	541	557	573	591
BR483	H	(mm)	335	339	365	375	562	600	616	635
	H1	(mm)	65	75	80	90	100	120	130	150

<b>Weights</b>										
BR480	ARI-PACO 0,85 kN	(kg)	4,5	6,1	7,6	10	--	--	--	--
	ARI-PACO 2G 1,6 kN	(kg)	--	--	--	--	18,3	23,6	28,4	39,7
BR483	ARI-PACO 0,85 kN	(kg)	5	6,7	8,7	12,3	--	--	--	--
	ARI-PACO 2G 1,6 kN	(kg)	--	--	--	--	21,1	27,1	32,7	48,1

<b>Closing pressures</b>			<b>max. permissible closing pressures on flow-to-open P2 = 0.</b> Observe pressure-temperature-limits, see below.									
Max. allowable differential pressure at flow			(bar)	25	25	25	25	25	20	8	25	25
ARI-PACO 0,85 kN	Closing pressure	(bar)	25	16,4	9,3	6,7	3,3	--	--	--	--	
	Operating time	(s)	136					--				
	Operating speed	(mm/s)	0,11									
ARI-PACO 2G 1,6 kN	Closing pressure	(bar)	--	--	--	--	--	5,3	2,9	1,7	0,9	
	Operating time	(s)	--					120				
	Operating speed	(mm/s)	0,25									

**Pressure-temperature-ratings** Intermediate values for max. permissible operational pressures can be determined by linear interpolation of the given temperature / pressure chart.

<b>acc. to DIN EN 1092-2</b>			<b>-10°C to 120°C</b>	<b>150°C</b>	<b>200°C</b>
EN-JS1049	PN16	(bar)	16	15,5	14,7
EN-JS1049	PN25	(bar)	25	24,3	23

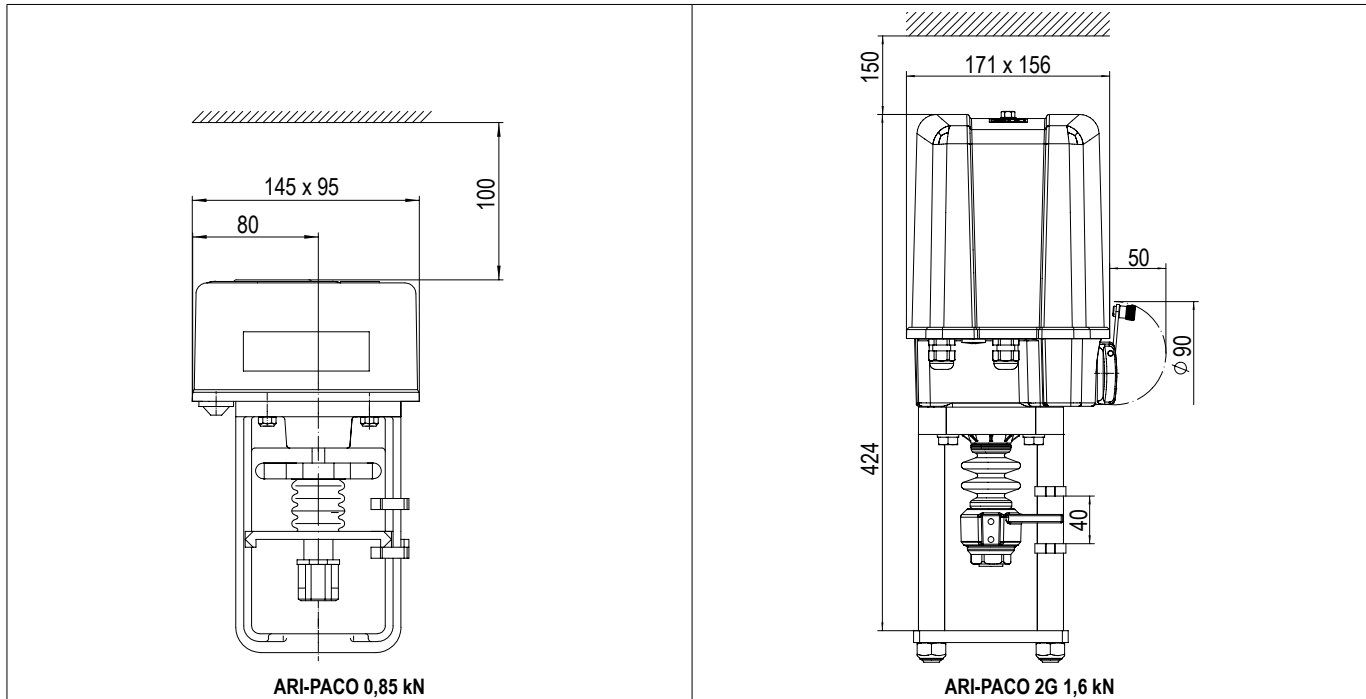
<b>Parts</b>										
Pos.	Sp.p.	Description	Fig. 22.480 / 23.480				Fig. 22.483 / 23.483			
1		Body	EN-GJS-400-18U-LT, EN-JS1049							
1.2		Seat ring	X20Cr13+QT, 1.4021+QT							
2	x	Seat ring	--				X20Cr13+QT, 1.4021+QT			
3	x	Plug / Stem	X6CrNiMoTi17-12-2, 1.4571							
4.1	x (opt. unit)	Mounting bonnet	EN-GJS-400-18U-LT, EN-JS1049							
4.2		Guide bush	PTFE +25%C							
4.3		Compression spring	X10CrNi18-8, 1.4310							
4.4		Washer	X5CrNi18-10, 1.4301							
4.5		V-ring unit	PTFE							
4.6		Bush	PTFE +25%C							
4.7		Retaining ring	F St							
4.8		Scraper	FPM							
6	x	Gasket	Pure graphite (CrNi laminated with graphite)							
7		Stud	25CrMo4, 1.7218							
8		Hexagon nuts	C35E, 1.1181							
L Spare parts (Pos. 4.1 - 4.8 werden als Unit with Hilfsspindel geliefert)										

Information / restriction of technical rules need to be observed!

A production permission acc. to TRB 801 No. 45 is available.

The engineer, designing a system or a plant, is responsible for the selection of the correct valve.

Resistance and fitness must be verified (contact manufacturer for information, refer to Product overview and Resistance list).


**Please indicate when ordering:**

- Figure-No.
- Nominal diameter
- Nominal pressure
- Body material
- Plug design
- Kvs-value
- Stem sealing
- Actuator

**Example:**

Figure 23.483, Nominal diameter DN 50, Nominal pressure PN25, Body material EN-JS1049, Mixing function, Kvs 40, Stem sealing V-ring unit, Actuator ARI-PACO 0,85 kN, Y 24V AC.