

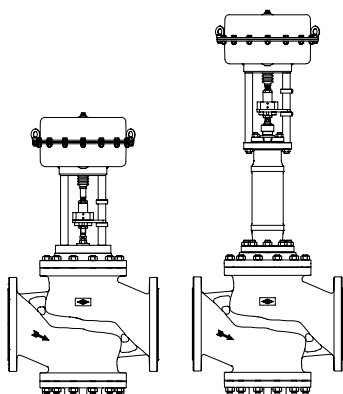
With pneumatic and electric actuators

**ARI-STEVI® 422 / 462**

**Pneumatic actuator**

**ARI-DP 34 - 35**

- Reversible pneumatic actuator
- Actuator with rolling diaphragm
- Air supply pressure max. 6 bar
- Stem protection by bellow
- Maintenance-free O-ring sealing
- Assembly of additional devices acc. to DIN IEC 60534-6



Page 4



Fig. 422

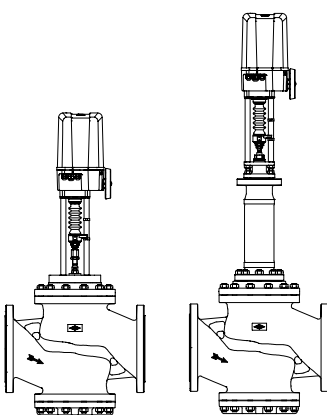
**ARI-STEVI® 422 / 462**

**Electric actuator**

**ARI-PREMIO 5 kN - 25 kN**

**ARI-PREMIO-Plus 2G 5 kN - 25 kN**

- Enclosure IP 65
- 2 torque switches
- Handwheel
- Additional devices available, e.g. potentiometer



Page 10



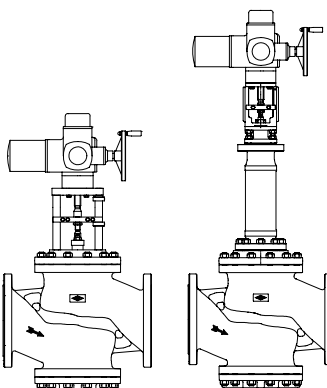
Fig. 462

**ARI-STEVI® 422 / 462**

**Electric actuator**

**AUMA SAR 07.6 - 14.6**

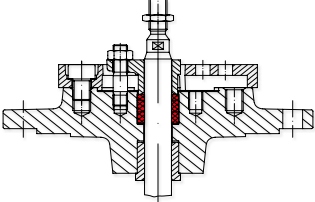
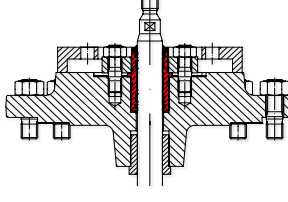
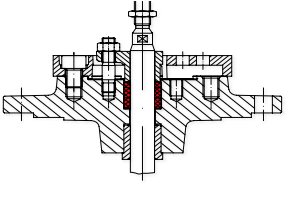
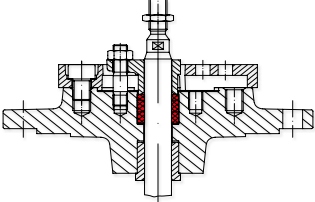
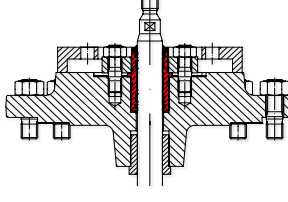
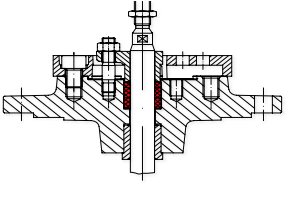
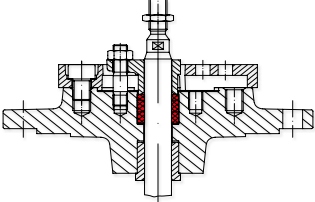
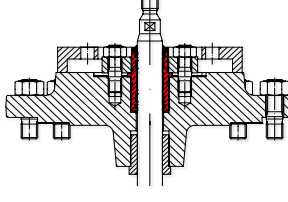
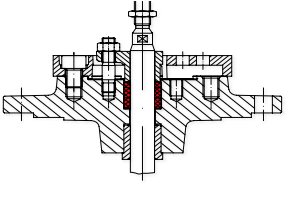
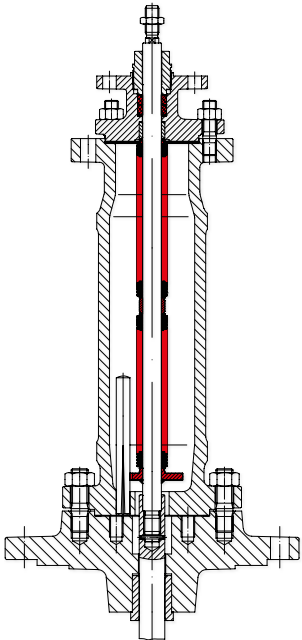
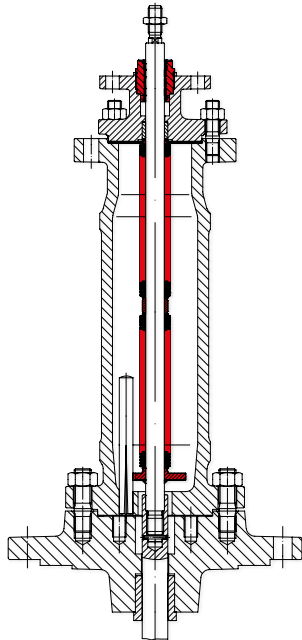
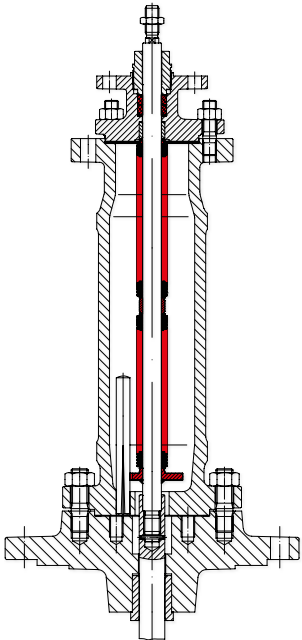
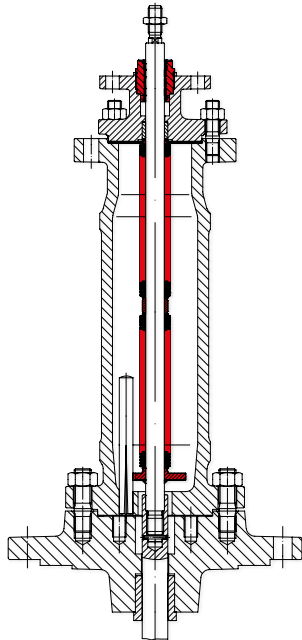
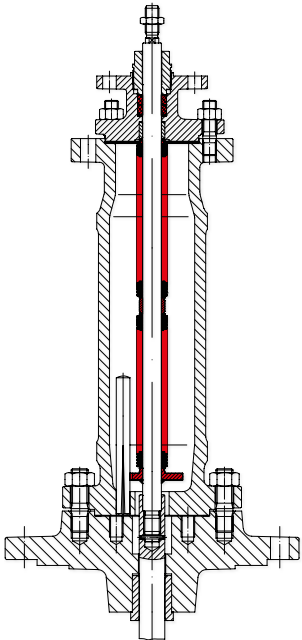
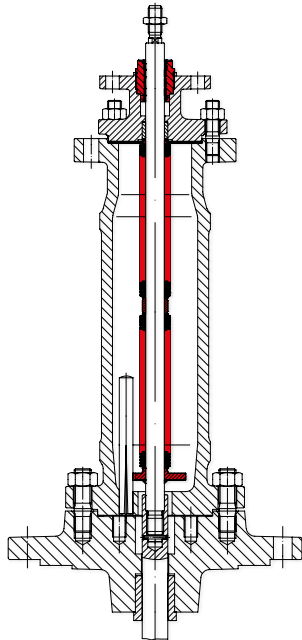
- Enclosure IP 67
- 2 torque switches
- 2 travel switches
- Handwheel
- Overheating protection for motor as standard
- Additional devices available, e.g. potentiometer
- Explosion proof version available



Page 12

W. T. Maye, Inc. (WTMI)  
1-877-705-9864  
info@wtmi-usa.com  
www.wtmi-usa.com

Figure	Nominal pressure	Material	Nominal diameter	Information / restriction of technical rules need to be observed!
12.422 / 12.462	PN16	EN-JL1040	DN200-250	ARI-Valves of EN-JL1040 are not allowed to be operated in systems acc. to TRD 110.
22.422 / 22.462	PN16	EN-JS1049	DN200-250	A production permission acc. to TRB 801 No. 45 is available. (Acc. to TRB 801 No. 45 EN-JL1040 is not allowed.)
34.422 / 34.462	PN25	1.0619+N	DN200-250	The engineer, designing a system or a plant, is responsible for the selection of the correct valve.
35.422 / 35.462	PN40	1.0619+N	DN200-250	Resistance and fitness must be verified, contact manufacturer for information (refer to Product overview and Resistance list).
Other materials and versions on request.				

Stem sealing										
Fig. 422	<table border="1"> <thead> <tr> <th>standard</th> <th colspan="2">optional</th> </tr> </thead> <tbody> <tr> <td></td> <td></td> <td></td> </tr> <tr> <td>II. PTFE-packing -10°C to 250°C</td> <td>I. EPDM-sealing -10°C to 150°C (allowed for water and steam up to 180°C)</td> <td>II. Pure graphite-packing -10°C to 450°C</td> </tr> </tbody> </table>	standard	optional					II. PTFE-packing -10°C to 250°C	I. EPDM-sealing -10°C to 150°C (allowed for water and steam up to 180°C)	II. Pure graphite-packing -10°C to 450°C
	standard	optional								
										
II. PTFE-packing -10°C to 250°C	I. EPDM-sealing -10°C to 150°C (allowed for water and steam up to 180°C)	II. Pure graphite-packing -10°C to 450°C								
Fig. 462	<table border="1"> <thead> <tr> <th>standard</th> <th>optional</th> </tr> </thead> <tbody> <tr> <td></td> <td></td> </tr> <tr> <td>III. Stainless steel-bellow with pure graphite-packing -60°C to 450°C</td> <td>III. Stainless steel bellows seal with EPDM-sealing -60°C to 150°C (allowed for water and steam up to 180°C)</td> </tr> </tbody> </table>	standard	optional			III. Stainless steel-bellow with pure graphite-packing -60°C to 450°C	III. Stainless steel bellows seal with EPDM-sealing -60°C to 150°C (allowed for water and steam up to 180°C)			
	standard	optional								
										
III. Stainless steel-bellow with pure graphite-packing -60°C to 450°C	III. Stainless steel bellows seal with EPDM-sealing -60°C to 150°C (allowed for water and steam up to 180°C)									

**Pressure-temperature-ratings** Intermediate values for max. permissible operational pressures can be determined by linear interpolation of the given temperature / pressure chart.

acc. to DIN EN 1092-2			-60°C to <-10°C <sup>1)</sup>	-10°C to 120°C	150°C	200°C	250°C	300°C	350°C	400°C	450°C
EN-JL1040	PN16	(bar)	--	16	14,4	12,8	11,2	9,6	--	--	--
EN-JS1049	PN16	(bar)	on request	16	15,5	14,7	13,9	12,8	11,2	--	--

acc. to manufacturers standard			-60°C to <-10°C <sup>1)</sup>	-10°C to 120°C	150°C	200°C	250°C	300°C	350°C	400°C	450°C
1.0619+N	PN25	(bar)	18,7	25	23,9	22	20	17,2	16	14,8	8,2
1.0619+N	PN40	(bar)	30	40	38,1	35	32	28	25,7	23,8	13,1

<sup>1)</sup> Valve with extended bonnet, studs and nuts made of A4-70 (at temperatures below -10°C)

Plug design standard			Guiding	Rangeability
<b>Parabolic plug, metal seat</b>	<ul style="list-style-type: none"> <li>- Leakage class IV acc. to DIN EN 60534-4</li> <li>- Flow characteristic: equal percentage (g/p) (modified) linear (lin)</li> </ul>		Plug shaft	30 : 1
Plug design optional			Guiding	Rangeability
<b>Parabolic plug with PTFE-Soft seal (max. 200°C)</b>	<ul style="list-style-type: none"> <li>- Leakage class VI acc. to DIN EN 60534-4</li> <li>- Flow characteristic: equal percentage (g/p) (modified) linear (lin)</li> </ul>		Plug shaft	30 : 1
<b>Parabolic plug with armoured sealing edge</b>	<ul style="list-style-type: none"> <li>- Leakage class IV acc. to DIN EN 60534-4</li> <li>- Flow characteristic: equal percentage (g/p) (modified) linear (lin)</li> </ul>		Plug shaft	30 : 1
<b>Parabolic plug with Pressure balanced plug metal seat</b> Piston seal: PTFE with stainless steel spring (max. 200°C)	<ul style="list-style-type: none"> <li>- Leakage class IV acc. to DIN EN 60534-4</li> <li>- Flow characteristic: equal percentage (g/p) (modified) linear (lin)</li> </ul>		Stem	30 : 1
<b>Perforated plug metal seat</b>  <b>optional: Pressure balanced perforated plug metal seat</b> Piston seal: PTFE with stainless steel spring (max. 200°C)	<ul style="list-style-type: none"> <li>- Leakage class IV acc. to DIN EN 60534-4</li> <li>- Flow characteristic: equal percentage (g/p) (modified) linear (lin)</li> </ul> <p>  Flow direction for gas and steam to reduce the sound level   Flow direction for liquids at critical operating conditions (cavitation / flashing)                     </p>		Stem / Seat ring	30 : 1
<b>Perforated plug with perforated cage metal seat</b>	<ul style="list-style-type: none"> <li>- Leakage class IV acc. to DIN EN 60534-4</li> <li>- Flow characteristic: equal percentage (g/p) (modified) linear (lin)</li> <li>- multistage pressure reduction</li> </ul> <p>  Flow direction for gas / steam and liquids to reduce the sound level at critical operating conditions                     </p>		Stem / Seat ring	30 : 1

Control valve in straightway form with pneumatic actuator ARI-DP

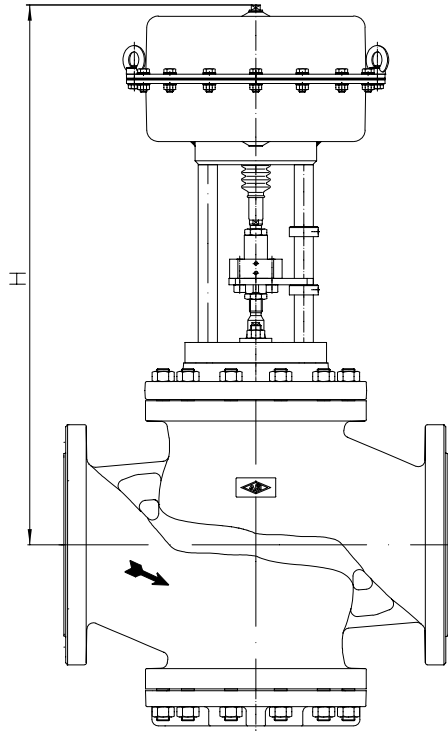


Fig. 422

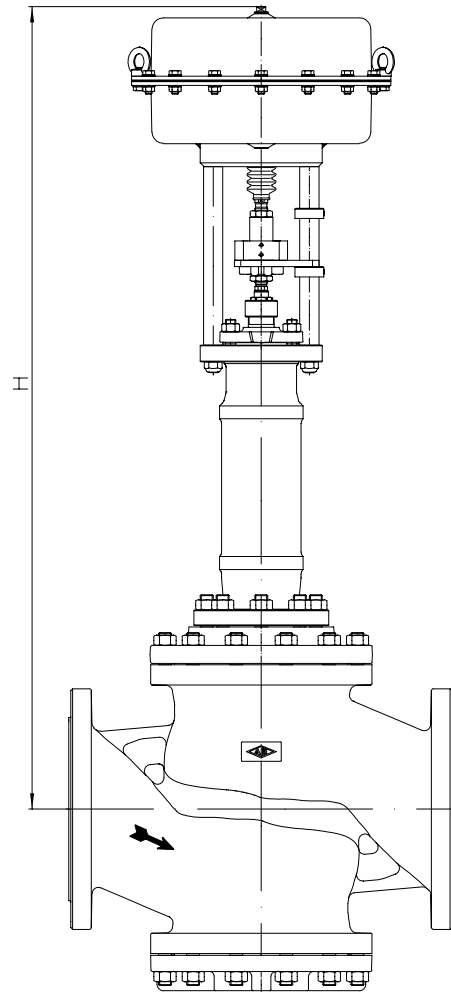
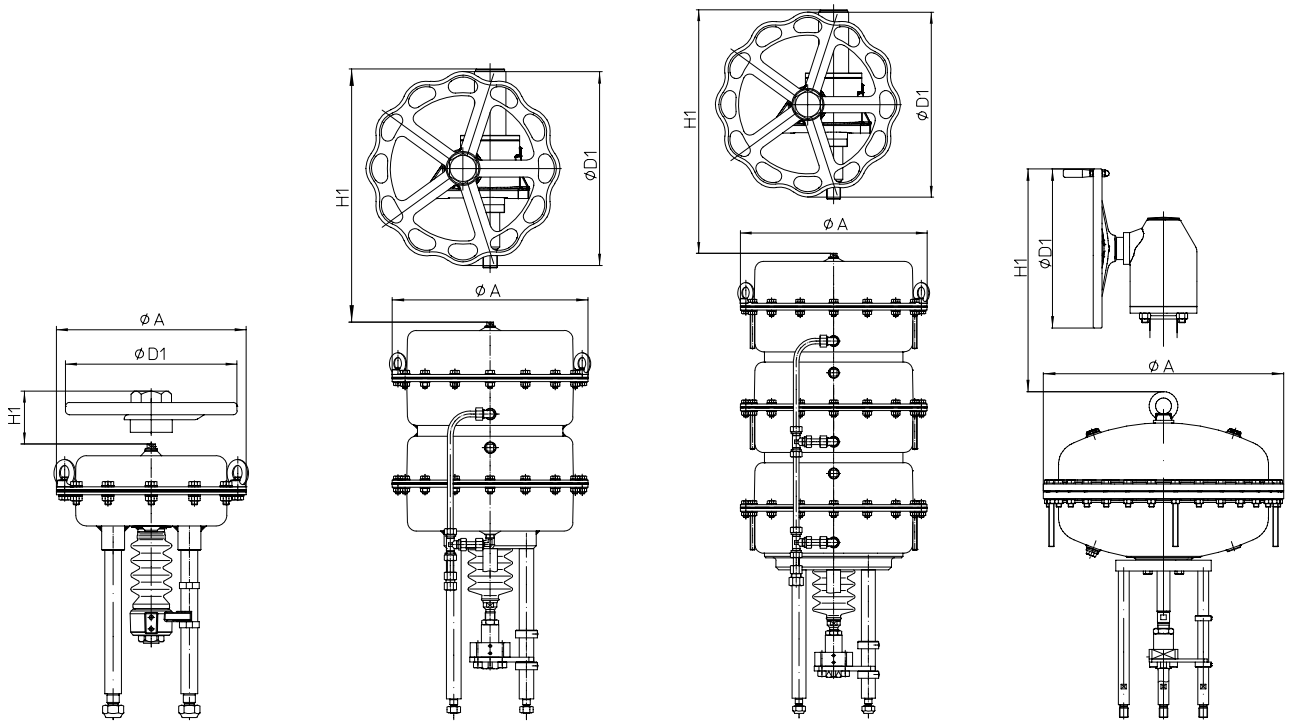


Fig. 462

Heights and weights

DN				200	250
Fig. 422	DP34	H	(mm)	845	905
		PN16	(kg)	253	365
		PN40	(kg)	286	434
	DP34T	H	(mm)	1095	1155
		PN16	(kg)	324	436
		PN40	(kg)	357	505
	DP34Tri	H	(mm)	1317	1377
		PN16	(kg)	358	470
		PN40	(kg)	391	539
	DP35	H	(mm)	1230	1290
		PN16	(kg)	523	635
		PN40	(kg)	556	704
Fig. 462	DP34	H	(mm)	1294	1354
		PN16	(kg)	275	388
		PN40	(kg)	302	431
	DP34T	H	(mm)	1542	1602
		PN16	(kg)	346	459
		PN40	(kg)	373	502
	DP34Tri	H	(mm)	1764	1824
		PN16	(kg)	380	493
		PN40	(kg)	407	536

Further dimensions refer to pages 14-15.



**DP34**
**DP34T**
**DP34Tri**
**DP35**


Actuator data		DP34	DP34T	DP34Tri	DP35
Ø A	(mm)		405		755
Effective diaphragm area	(cm <sup>2</sup> )	800	1600	2400	2800
Top mounted handwheel	Ø D1		400		500
	H1	442	635	635	731
	Weight	17		41	49

Further technical data of the actuator: refer to data sheet ARI-DP.

W. T. Maye, Inc. (WTMI)  
 1-877-705-9864  
 info@wtmi-usa.com  
 www.wtmi-usa.com

max. permissible closing pressures on flow-to-open P2 = 0.  
Observe pressure-temperature-limits, refer to page 2.

DN						200			250		
Parabolic plug	Kvs-value		(m <sup>3</sup> /h)	250	400	<b>630</b>	400	630	<b>1000</b>		
	max. diff. pressure <sup>1)</sup>		(bar)	20			20				
Perforated plug	Kvs-value		(m <sup>3</sup> /h)	160	250	<b>400</b>	250	400	<b>630</b>		
	max. diff. pressure <sup>1)</sup>		(bar)	30			30				
Seat-ø			(mm)	125	150	200	150	200	250		
Travel			(mm)	50		65	50	65			
<b>DP34</b> <b>800 cm<sup>2</sup></b> Spring closes on air failure  (stem extending by spring)	Spring range (bar)	0,8-2,4	Air supply pressure min. (bar) <sup>2)</sup>	2,7	I./II. (bar)	3,8	2,5		2,5		
					III. (bar)	3,8	2,5		2,5		
		1,0-2,0		2,4	I./II. (bar)			1,8		1,8	1,1
					III. (bar)			1,8		1,8	1,1
		1,5-3,0		3,3	I./II. (bar)	8,2	5,6		5,6		
					III. (bar)	8,2	5,6		5,6		
		2,0-4,0		4,5	I./II. (bar)	11,3	7,8	4,3	7,8	4,3	2,6
					III. (bar)	11,3	7,8	4,3	7,8	4,3	2,7

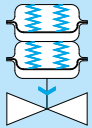
DN						200			250		
Parabolic plug	Kvs-value		(m <sup>3</sup> /h)	250	400	<b>630</b>	400	630	<b>1000</b>		
	max. diff. pressure <sup>1)</sup>		(bar)	20			20				
Perforated plug	Kvs-value		(m <sup>3</sup> /h)	160	250	<b>400</b>	250	400	<b>630</b>		
	max. diff. pressure <sup>1)</sup>		(bar)	30			30				
Seat-ø			(mm)	125	150	200	150	200	250		
Travel			(mm)	50		65	50	65			
<b>DP34</b> <b>800 cm<sup>2</sup></b> Spring opens on air failure  (stem retracting by spring)	Air supply pressure min. (bar) <sup>2)</sup>	1,4	I./II. (bar)	1,2							
			III. (bar)	1,3 a)							
		2	I./II. (bar)	5	3,4	1,8	3,4	1,8	1,1		
			III. (bar)	5,1 a)	3,4 a)	1,8 a)	3,4 a)	1,8 a)	1,1 a)		
		3	I./II. (bar)	11,3	7,8	4,3	7,8	4,3	2,6		
			III. (bar)	11,4 a)	7,8 a)	4,3 a)	7,8 a)	4,3 a)	2,7 a)		
		4	I./II. (bar)	17,7	12,2	6,7	12,2	6,7	4,2		
			III. (bar)	17,7 a)	12,2 a)	6,7 a)	12,2 a)	6,7 a)	4,2 a)		
		5	I./II. (bar)	24	16,6	9,2	16,6	9,2	5,8		
			III. (bar)	24 a)	16,6 a)	9,2 a)	16,6 a)	9,2 a)	5,8 a)		
		6	I./II. (bar)	30,3	21	11,7	21	11,7	7,4		

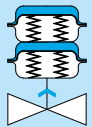
- I. Fig. 422: EPDM-sealing  
 II. Fig. 422: PTFE- / pure graphite-packing  
 III. Fig. 462: Bellows seal

<sup>1)</sup> max. differential pressure drop

<sup>2)</sup> Air supply pressure max. to actuator: 6 bar    Restriction: a) 5 bar    b) 4,5 bar    c) 4 bar    d) 3,5 bar    e) 3 bar

max. permissible closing pressures on flow-to-open P2 = 0.  
 Observe pressure-temperature-limits, refer to page 2.

DN				200			250			
Parabolic plug	Kvs-value		(m³/h)	250	400	630	400	630	1000	
	max. diff. pressure <sup>1)</sup>		(bar)	20			20			
Perforated plug	Kvs-value		(m³/h)	160	250	400	250	400	630	
	max. diff. pressure <sup>1)</sup>		(bar)	30			30			
Seat-ø			(mm)	125	150	200	150	200	250	
Travel			(mm)	50		65	50	65		
<b>DP34T</b> <b>1600 cm²</b> <b>Spring closes on air failure</b>  (stem extending by spring)	Spring range (bar)	Air supply pressure min. (bar) <sup>2)</sup>	1,5	I./II.	(bar)	1,2 b)				
				III.	(bar)	1,3 e)				
			1,7	I./II.	(bar)	3,8 b)	2,5 b)	1,3 b)	2,5 b)	1,3 b)
				III.	(bar)	3,8 e)	2,5 e)	1,3 e)	2,5 e)	1,3 e)
			2,9	I./II.	(bar)	8,8	6		6	
				III.	(bar)	8,8 b)	6 b)		6 b)	
	2,5	I./II.	(bar)			4,3 a)		4,3 a)	2,6 a)	
		III.	(bar)			4,3 c)		4,3 c)	2,7 c)	
	3,5	I./II.	(bar)	17,7	12,2		12,2			
		III.	(bar)	17,7 a)	12,2 a)		12,2 a)			
	4,5	I./II.	(bar)	24	16,6	9,2	16,6	9,2	5,8	
		III.	(bar)	24	16,6	9,2	16,6	9,2	5,8	

DN				200			250			
Parabolic plug	Kvs-value		(m³/h)	250	400	630	400	630	1000	
	max. diff. pressure <sup>1)</sup>		(bar)	20			20			
Perforated plug	Kvs-value		(m³/h)	160	250	400	250	400	630	
	max. diff. pressure <sup>1)</sup>		(bar)	30			30			
Seat-ø			(mm)	125	150	200	150	200	250	
Travel			(mm)	50		65	50	65		
<b>DP34T</b> <b>1600 cm²</b> <b>Spring opens on air failure</b>  (stem retracting by spring)	Air supply pressure min. (bar) <sup>2)</sup>	1,5	I./II.	(bar)	5 b)	3,4 b)	1,8 b)	3,4 b)	1,8 b)	1,1 b)
			III.	(bar)	5,1 e)	3,4 e)	1,8 e)	3,4 e)	1,8 e)	1,1 e)
		2	I./II.	(bar)	11,3 b)	7,8 b)	4,3 b)	7,8 b)	4,3 b)	2,6 b)
			III.	(bar)	11,4 e)	7,8 e)	4,3 e)	7,8 e)	4,3 e)	2,7 e)
		3	I./II.	(bar)	24 b)	16,6 b)	9,2 b)	16,6 b)	9,2 b)	5,8 b)
			III.	(bar)	24 e)	16,6 e)	9,2 e)	16,6 e)	9,2 e)	5,8 e)
		4	I./II.	(bar)	36,6 b)	25,4 b)	14,2 b)	25,4 b)	14,2 b)	9 b)

- I. Fig. 422: EPDM-sealing
- II. Fig. 422: PTFE- / pure graphite-packing
- III. Fig. 462: Bellows seal

<sup>1)</sup> max. differential pressure drop

<sup>2)</sup> Air supply pressure max. to actuator: 6 bar      Restriction: a) 5 bar    b) 4,5 bar    c) 4 bar    d) 3,5 bar    e) 3 bar

max. permissible closing pressures on flow-to-open P2 = 0.  
Observe pressure-temperature-limits, refer to page 2.

DN					200			250							
Parabolic plug	Kvs-value		(m³/h)		250	400	630	400	630	1000					
	max. diff. pressure <sup>1)</sup>		(bar)		20			20							
Perforated plug	Kvs-value		(m³/h)		160	250	400	250	400	630					
	max. diff. pressure <sup>1)</sup>		(bar)		30			30							
Seat-ø			(mm)		125	150	200	150	200	250					
Travel			(mm)		50		65	50	65						
<p>DP34Tri 2400 cm<sup>2</sup> Spring closes on air failure (stem extending by spring)</p>					Spring range (bar)	Air supply pressure min. (bar) <sup>2)</sup>	0,2-1,0	1,5	I./II. (bar)	2,5 d)	1,6 d)		1,6 d)		
									III. (bar)	2,5 f)	1,6 f)		1,6 f)		
							0,4-1,2	1,7	I./II. (bar)	6,3 d)	4,3 d)	2,3 d)	4,3 d)	2,3 d)	1,4 d)
									III. (bar)	6,3 f)	4,3 f)	2,3 f)	4,3 f)	2,3 f)	1,4 f)
							0,8-2,4	2,9	I./II. (bar)	13,9 b)	9,5 b)		9,5 b)		
									III. (bar)	13,9 d)	9,6 d)		9,6 d)		
					1,0-2,0	2,5	I./II. (bar)			6,7 b)		6,7 b)	4,2 b)		
							III. (bar)			6,7 e)		6,7 e)	4,2 e)		
					1,5-3,0	3,5	I./II. (bar)	27,1 a)	18,8 a)	10,4 a)	18,8 a)	10,4 a)	6,6 a)		
					2,0-4,0	4,5	I./II. (bar)	36,6	25,4	14,2	25,4	14,2	9		


- I. Fig. 422: EPDM-sealing
- II. Fig. 422: PTFE- / pure graphite-packing
- III. Fig. 462: Bellows seal


<sup>1)</sup> max. differential pressure drop

<sup>2)</sup> Air supply pressure max. to actuator: 5 bar    Restriction: a) 5 bar    b) 4,5 bar    c) 4 bar    d) 3,5 bar    e) 3 bar    f) 2,5 bar



max. permissible closing pressures on flow-to-open P2 = 0.  
Observe pressure-temperature-limits, refer to page 2.

DN						200			250					
Parabolic plug	Kvs-value		(m <sup>3</sup> /h)	250	400	630	400	630	1000					
	max. diff. pressure <sup>1)</sup>		(bar)	20			20							
Perforated plug	Kvs-value		(m <sup>3</sup> /h)	160	250	400	250	400	630					
	max. diff. pressure <sup>1)</sup>		(bar)	30			30							
Seat-ø			(mm)	125	150	200	150	200	250					
Travel			(mm)	50		65	50	65						
<b>DP35</b> <b>2800 cm<sup>2</sup></b> <b>Spring closes on air failure</b>  (stem extending by spring)			Spring range (bar)	1,8-3,8	Air supply pressure min. (bar <sup>2)</sup> )	4,30	I./II.	(bar)	40	40	23,3	40	23,3	14,9

DN						200			250			
Parabolic plug	Kvs-value		(m <sup>3</sup> /h)	250	400	630	400	630	1000			
	max. diff. pressure <sup>1)</sup>		(bar)	20			20					
Perforated plug	Kvs-value		(m <sup>3</sup> /h)	160	250	400	250	400	630			
	max. diff. pressure <sup>1)</sup>		(bar)	30			30					
Seat-ø			(mm)	125	150	200	150	200	250			
Travel			(mm)	50		65	50	65				
<b>DP35</b> <b>2800 cm<sup>2</sup></b> <b>Spring opens on air failure</b>  (stem retracting by spring)			Air supply pressure min. (bar <sup>2)</sup> )	1,5	I./II.	(bar)	12,7 b)	8,7 b)	4,1 b)	8,7 b)	4,1 b)	2,5 b)
				2	I./II.	(bar)	23,9 b)	16,6 b)	8,5 b)	16,6 b)	8,5 b)	5,4 b)
				3	I./II.	(bar)	40 b)	32,2 b)	17,3 b)	32,2 b)	17,3 b)	11 b)
				4	I./II.	(bar)		40 b)	26,1 b)	40 b)	26,1 b)	16,7 b)
				4,5	I./II.	(bar)			30,5 b)		30,5 b)	19,5 b)

I. Fig. 422: EPDM-sealing

II. Fig. 422: PTFE- / pure graphite-packing

III. Fig. 462: Bellows seal

<sup>1)</sup> max. differential pressure drop

<sup>2)</sup> Air supply pressure max. to actuator: 6 bar Restriction: a) 5 bar b) 4,5 bar c) 4 bar d) 3,5 bar e) 3 bar

## Control valve in straightway form with electric actuator ARI-PREMIO

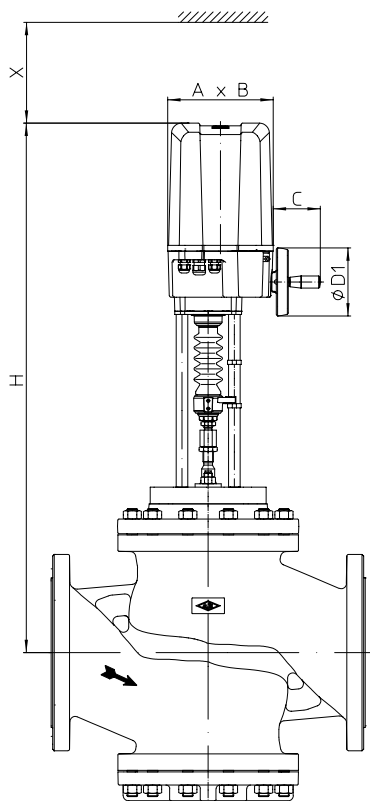


Fig. 422

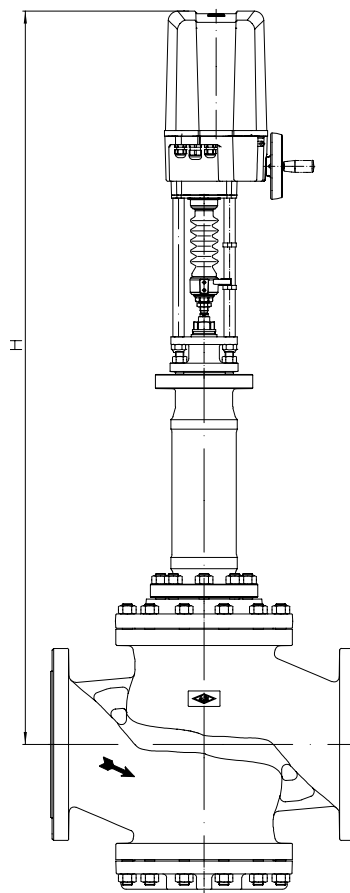


Fig. 462

Actuator data		2,2 - 5 kN	12 - 25 kN
A	(mm)	171	210
B	(mm)	156	184
C	(mm)	50	90
Ø D1	(mm)	90	130
X	(mm)	150	200

Further technical data of the actuator: refer to data sheet ARI-PREMIO/PREMIO-Plus 2G

## Heights and weights

DN				200	250
Fig. 422	5 kN	H	(mm)	843	903
		PN16	(kg)	215	327
		PN40	(kg)	248	396
	12 kN 15 kN	H	(mm)	997	1057
		PN16	(kg)	219	331
	25 kN	PN40	(kg)	252	400
H		(mm)	953	1013	
PN16		(kg)	220	332	
Fig. 462	5 kN	PN40	(kg)	253	401
		H	(mm)	1265	1325
		PN16	(kg)	237	350
	12 kN 15 kN	PN40	(kg)	264	393
		H	(mm)	1434	1494
	25 kN	PN16	(kg)	241	354
PN40		(kg)	268	397	
H		(mm)	1434	1494	
	PN16	(kg)	242	355	
	PN40	(kg)	269	398	

Further dimensions refer to pages 14-15.

max. permissible closing pressures on flow-to-open P2 = 0.  
Observe pressure-temperature-limits, refer to page 2.

DN			200			250		
Parabolic plug	Kvs-value	(m <sup>3</sup> /h)	250	400	630	400	630	1000
	max. diff. pressure <sup>1)</sup>	(bar)	20			20		
Perforated plug	Kvs-value	(m <sup>3</sup> /h)	160	250	400	250	400	630
	max. diff. pressure <sup>1)</sup>	(bar)	30			30		
Seat-ø		(mm)	125	150	200	150	200	250
Travel		(mm)	50		65	50	65	
5 kN	Closing pressure	I./II. (bar)	2,7	1,8		1,8		
		III. (bar)						
	Operating time	(s)	132			132		
Operating speed		(mm/s)	0,38			0,38		
12 kN	Closing pressure	I./II. (bar)	8,4	5,7	3,1	5,7	3,1	1,9
		III. (bar)						
	Operating time		(s)	132		171	132	171
Operating speed		(mm/s)	0,38			0,38		
15 kN	Closing pressure	I./II. (bar)	10,8	7,4	4	7,4	4	2,5
		III. (bar)						
	Operating time		(s)	132		171	132	171
Operating speed		(mm/s)	0,38			0,38		
25 kN	Closing pressure	I./II. (bar)	18,8	13	7,2	13	7,2	4,5
		III. (bar)						
	Operating time		(s)	132		171	132	171
Operating speed		(mm/s)	0,38			0,38		

**Further operating speeds:** refer to data sheet ARI-PREMIO/PREMIO-Plus 2G

Operating time [s]=	$\frac{\text{Travel [mm]}}{\text{Operating speed [mm/s]}}$
---------------------	--

- I. Fig. 422: EPDM-sealing
- II. Fig. 422: PTFE- / pure graphite-packing
- III. Fig. 462: Bellows seal

<sup>1)</sup> max. differential pressure drop

W. T. Maye, Inc. (WTMI)  
1-877-705-9864  
info@wtmi-usa.com  
www.wtmi-usa.com

## Control valve in straightway form with electric actuator AUMA

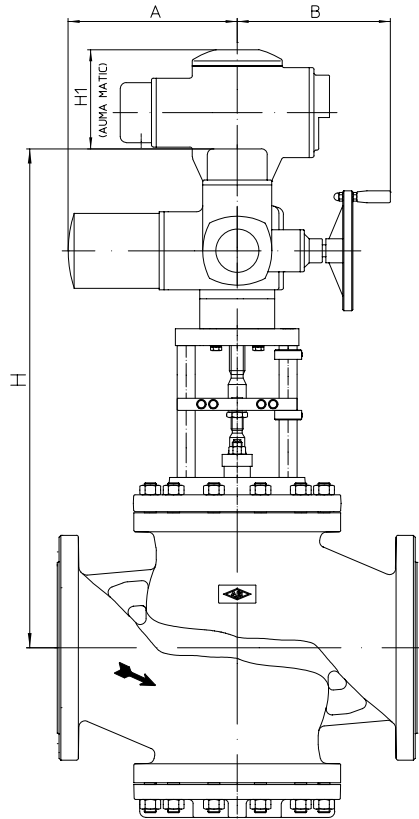


Fig. 422

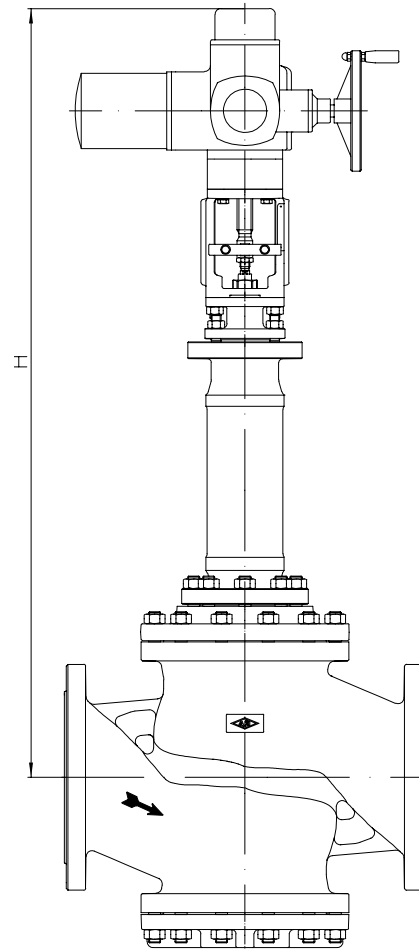


Fig. 462

Actuator data		SAR 07.2	SAR 07.6	SAR 10.2	SAR 14.2	SAR 14.6
A	(mm)	265		283	389	
B	(mm)	249		254	336	339
H1 (AUMA MATIC)	(mm)	130			182	

**Supply voltage:** 400V 50Hz 3~ (Other voltages on request)  
 Technical data for actuator refer to price list.

### Heights and weights

DN			200	250
Fig. 422	SAR 07.6	H (mm)	870	930
		PN16 (kg)	241	353
		PN40 (kg)	274	422
	SAR 10.2	H (mm)	872	932
		PN16 (kg)	243	355
		PN40 (kg)	276	424
	SAR 14.2	H (mm)	913	973
		PN16 (kg)	274	386
		PN40 (kg)	307	455
SAR 14.6 LE100	H (mm)	1117	1231	
	PN16 (kg)	320	432	
	PN40 (kg)	353	501	
Fig. 462	SAR 07.6	H (mm)	1315	1375
		PN16 (kg)	259	372
		PN40 (kg)	286	415
	SAR 10.2	H (mm)	1317	1377
		PN16 (kg)	261	374
		PN40 (kg)	288	417

**For version with AUMA SAR Ex other heights.**

Further dimensions refer to pages 14-15.

max. permissible closing pressures on flow-to-open P2 = 0.  
 Observe pressure-temperature-limits, refer to page 2.

**Fig. 422**

DN				200			250			
Parabolic plug	Kvs-value		(m <sup>3</sup> /h)	250	400	<b>630</b>	400	630	<b>1000</b>	
	max. diff. pressure <sup>1)</sup>		(bar)	20			20			
Perforated plug	Kvs-value		(m <sup>3</sup> /h)	160	250	<b>400</b>	250	400	<b>630</b>	
	max. diff. pressure <sup>1)</sup>		(bar)	30			30			
Seat-ø			(mm)	125	150	200	150	200	250	
Travel			(mm)	50		65	50	65		
<b>SAR 07.6</b> Output drive Form A TR 26 x 5 - LH	Closing pressure	I./II.	shut off	(bar)	17,3	11,9	6,6	11,9	6,6	4,1
			controlling <sup>2)</sup>	(bar)	8	5,5	2,9	5,5	2,9	1,8
	Torque			(Nm)	60			60		
	Operating time (50 Hz)			(s)	55		71	55	71	
Output drive			(rpm)	11			11			
<b>SAR 10.2</b> Output drive Form A TR 26 x 5 - LH	Closing pressure	I./II.	shut off	(bar)	35,8	24,8	13,9	24,8	13,9	8,8
			controlling <sup>2)</sup>	(bar)	17,3	11,9	6,6	11,9	6,6	4,1
	Torque			(Nm)	120			120		
	Operating time (50 Hz)			(s)	55		71	55	71	
Output drive			(rpm)	11			11			
<b>SAR 14.2</b> Output drive Form A TR 30 x 6 - LH	Closing pressure	I./II.	shut off	(bar)	40	40	23,9	40	23,9	15,3
			controlling <sup>2)</sup>	(bar)	28,9	20	11,1	20	11,1	7,1
	Torque			(Nm)	175	250		250		
	Operating time (50 Hz)			(s)	63		59	63	59	
Output drive			(rpm)	8		11	8	11		
<b>SAR 14.6</b> with LE100.1	Closing pressure	I./II.	shut off	(bar)	40	40	31,6	40	31,6	20,2
			controlling <sup>2)</sup>	(bar)	40	27,7	15,5	27,7	15,5	9,8
	Torque			(Nm)	400			400		
	Operating time (50 Hz)			(s)	54		70	54	70	
Output drive			(rpm)	8			8			

**Fig. 462**

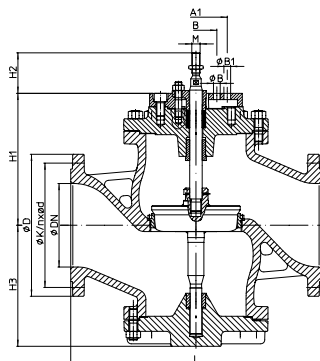
DN				200			250			
Parabolic plug	Kvs-value		(m <sup>3</sup> /h)	250	400	<b>630</b>	400	630	<b>1000</b>	
	max. diff. pressure <sup>1)</sup>		(bar)	20			20			
Perforated plug	Kvs-value		(m <sup>3</sup> /h)	160	250	<b>400</b>	250	400	<b>630</b>	
	max. diff. pressure <sup>1)</sup>		(bar)	30			30			
Seat-ø			(mm)	125	150	200	150	200	250	
Travel			(mm)	50		65	50	65		
<b>SAR 07.6</b> Output drive Form A TR 26 x 5 - LH	Closing pressure	III.	shut off	(bar)	17,3	11,9	6,6	11,9	6,6	4,1
			controlling <sup>2)</sup>	(bar)	8	5,5	3	5,5	3	1,8
	Torque			(Nm)	60			60		
	Operating time (50 Hz)			(s)	55		71	55	71	
Output drive			(rpm)	11			11			
<b>SAR 10.2</b> Output drive Form A TR 26 x 5 - LH	Closing pressure	III.	shut off	(bar)	26,6	18,4	10,2	18,4	10,2	6,5
			controlling <sup>2)</sup>	(bar)	17,3	11,9	6,6	11,9	6,6	4,1
	Torque			(Nm)	90			90		
	Operating time (50 Hz)			(s)	55		71	55	71	
Output drive			(rpm)	11			11			

- I. Fig. 422: EPDM-sealing  
 II. Fig. 422: PTFE- / pure graphite-packing  
 III. Fig. 462: Bellows seal

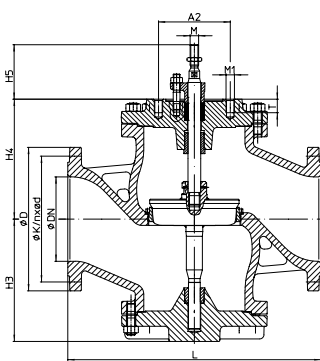
<sup>1)</sup> max. differential pressure drop

<sup>2)</sup> Restrictions through max. permissible torque of the actuator at controlling operation.

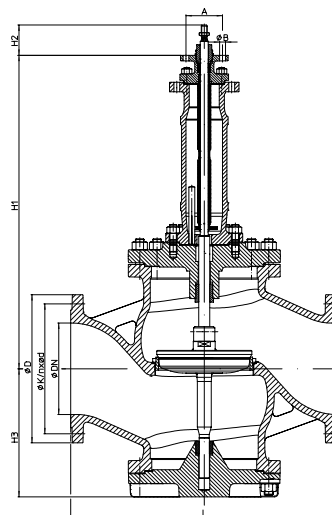
## Control valve in straightway form


**Fig. 422**
**DN200-250**

(e.g.: DP34-34Tri; PREMIO 12-15kN)

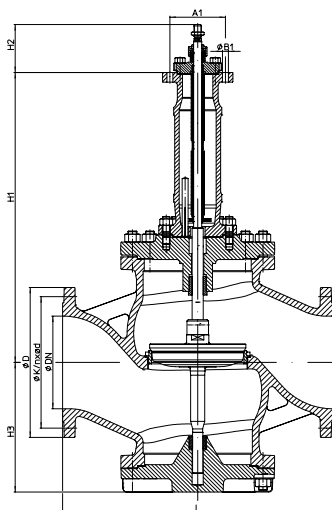

**Fig. 422**
**DN200-250**

(e.g.: AUMA SAR 07.6-10.2)


**Fig. 462**
**DN200-250 M16**

(e.g.: PREMIO 5-15kN; AUMA SAR 07.6-10.2)

DN		200		250		
<b>Dimensions</b>						
M	Fig. 422	(mm)	M20			
	Fig. 462	(mm)	M16	M20	M16	M20
H1	Fig. 422	(mm)	316		376	
	Fig. 462	(mm)	797	723	857	783
H2	Fig. 422	(mm)	98			
	Fig. 462	(mm)	83	130	83	130
H3	Fig. 422 / 462	(mm)	283		350	
H4	Fig. 422	(mm)	284		340	
H5	Fig. 422	(mm)	130			
	Fig. 462	(mm)	100	--	100	--
A	Fig. 422	(mm)	100			
	Fig. 462	(mm)	100	--	100	--
n x ØB	Fig. 422	(mm)	2 x 16			
	Fig. 462	(mm)	2 x 16	--	2 x 16	--
A1	Fig. 422	(mm)	150			
	Fig. 462	(mm)	--	150	--	150
n x ØB1	Fig. 422	(mm)	4 x 16			
	Fig. 462	(mm)	--	4 x 16	--	4 x 16
A2	Fig. 422	(mm)	170			
n x M1	Fig. 422	(mm)	8 x M20			
T	Fig. 422	(mm)	32			


**Fig. 462**
**DN200-250 M20**

(e.g.: DP34-34Tri)

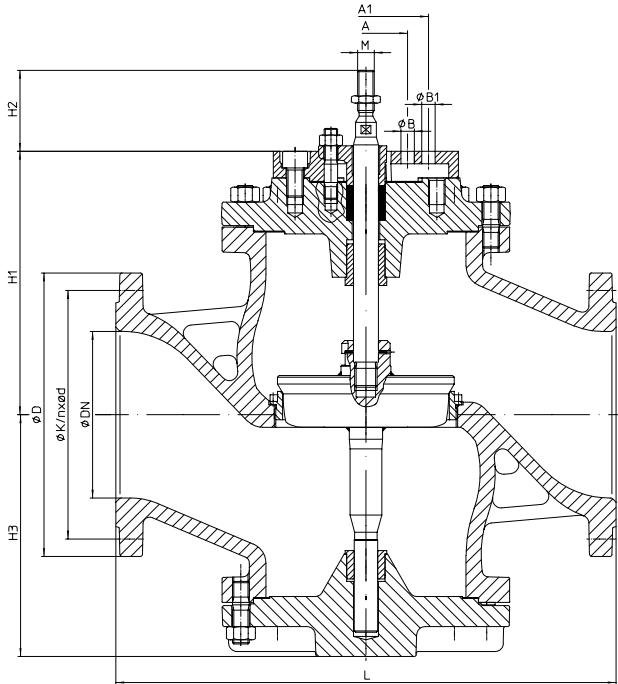
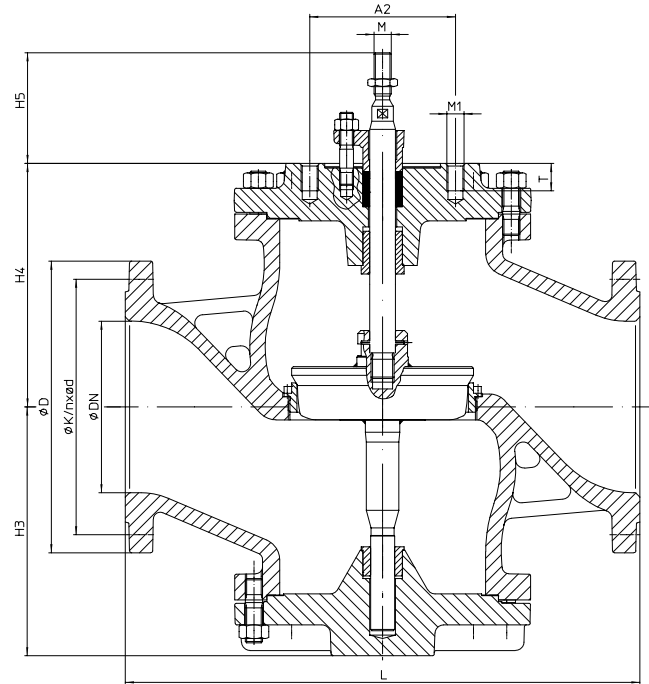
Face-to-face dimension FTF series 1 according to DIN EN 558		
L	(mm)	600
		730

Flanges acc. to DIN EN 1092-1/-2		Flange holes / -thickness tolerances acc. to DIN 2533/2544/2545	
ØD	PN16	(mm)	340
	PN25	(mm)	360
	PN40	(mm)	375
ØK	PN16	(mm)	295
	PN25	(mm)	310
	PN40	(mm)	320
n x Ød	PN16	(mm)	12 x 22
	PN25	(mm)	12 x 26
	PN40	(mm)	12 x 30

Weights			
Fig. 422	PN16 (JL 1040)	(kg)	208
	PN40 (1.0619+N)	(kg)	241
Fig. 462	PN16 (JL 1040)	(kg)	230
	PN40 (1.0619+N)	(kg)	257

max. permissible thrust	
Fig. 422	(kN)
Fig. 462	(kN)

## Control valve in straightway form


**Fig. 422**  
**DN200-250**

**Fig. 422**  
**DN200-250**  
 (e.g.: DP35; AUMA SAR 14.2-14.6)

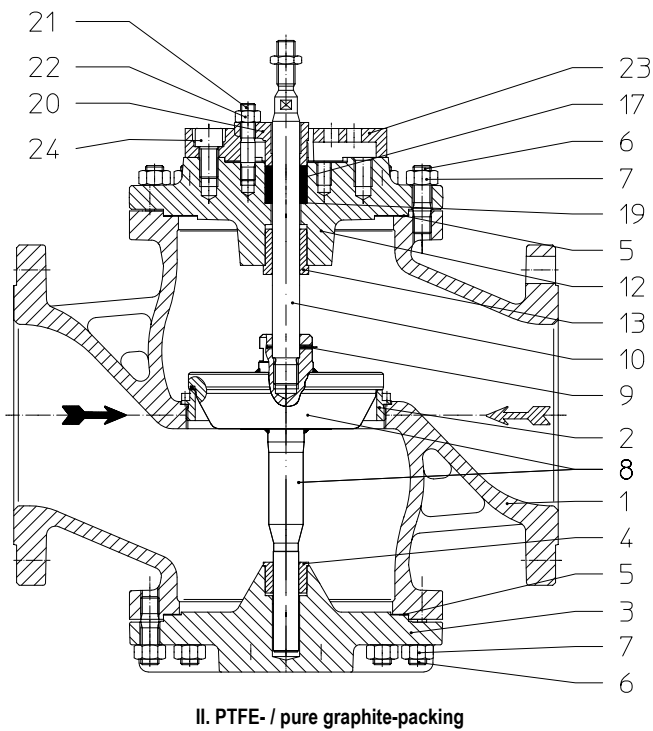
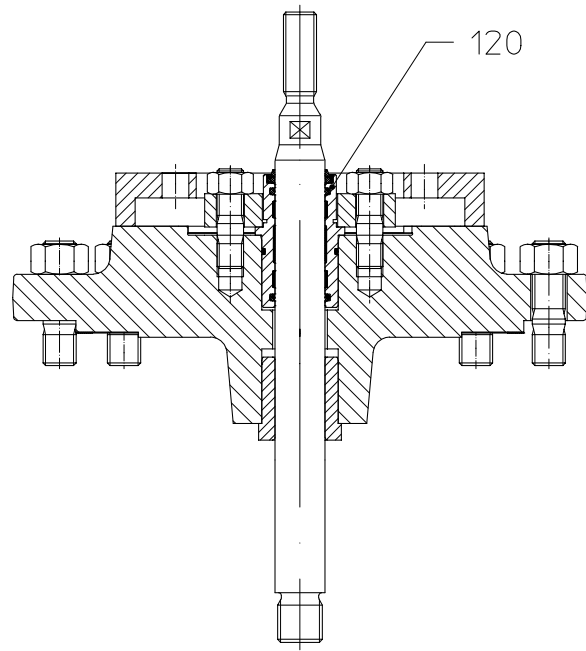
DN			200	250
<b>Dimensions</b>				
M	Fig. 422	(mm)	M27	
H1	Fig. 422	(mm)	316	376
H2	Fig. 422	(mm)	98	
H3	Fig. 422	(mm)	283	350
H4	Fig. 422	(mm)	284	340
H5	Fig. 422	(mm)	130	
A	Fig. 422	(mm)	100	
n x ØB	Fig. 422	(mm)	2 x 16	
A1	Fig. 422	(mm)	150	
n x ØB1	Fig. 422	(mm)	4 x 16	
A2	Fig. 422	(mm)	170	
n x M1	Fig. 422	(mm)	8 x M20	
T	Fig. 422	(mm)	32	

Face-to-face dimension FTF series 1 according to DIN EN 558				
L	(mm)	600	730	

Flanges acc. to DIN EN 1092-1/-2				
ØD	PN16	(mm)	340	405
	PN25	(mm)	360	425
	PN40	(mm)	375	450
ØK	PN16	(mm)	295	355
	PN25	(mm)	310	370
	PN40	(mm)	320	385
n x Ød	PN16	(mm)	12 x 22	12 x 26
	PN25	(mm)	12 x 26	12 x 30
	PN40	(mm)	12 x 30	12 x 33

Weights				
Fig. 422	PN16 (JL 1040)	(kg)	208	320
	PN40 (1.0619+N)	(kg)	241	389

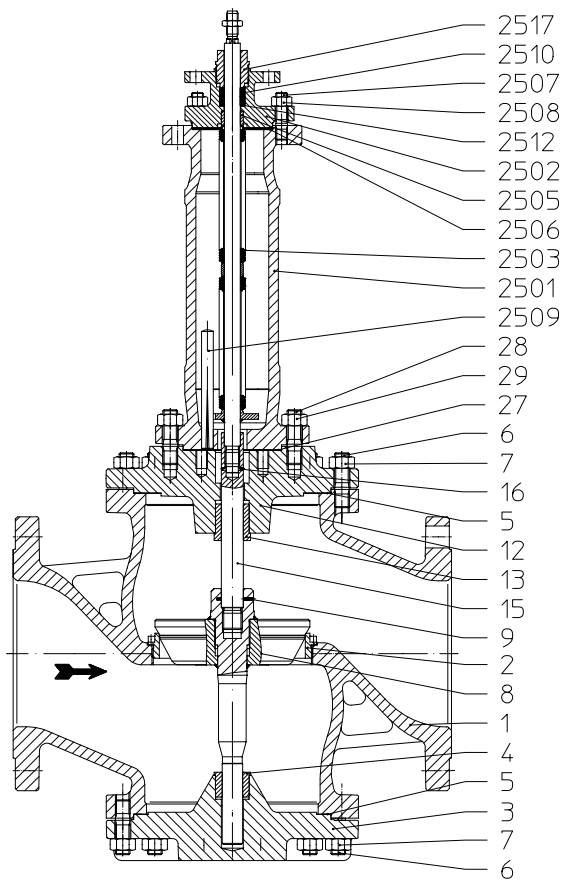
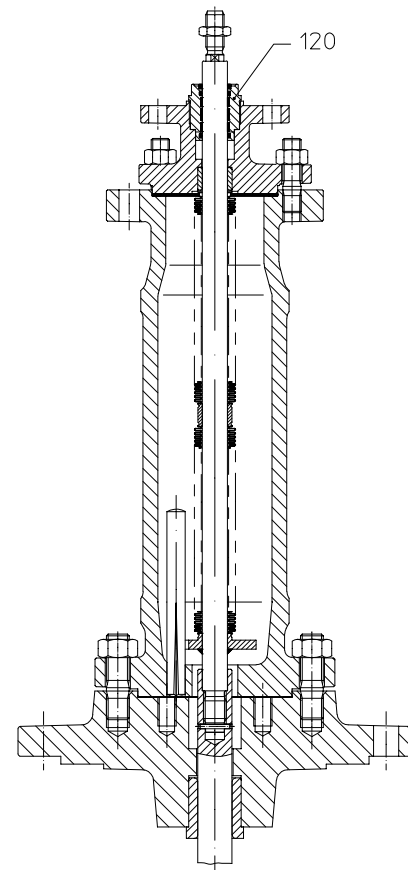
max. permissible thrust				
Fig. 422	(kN)	112		


**II. PTFE- / pure graphite-packing**

**I. EPDM-sealing**

Pos.	Sp.p.	Description	Fig. 12.422	Fig. 22.422	Fig. 34.422 / Fig. 35.422
1		Body	EN-GJL-250 , EN-JL1040	EN-GJS-400-18U-LT, EN-JS1049	GP240GH+N, 1.0619+N
2	x	Seat ring	X20Cr13+QT, 1.4021+QT		
3		Cover	EN-GJS-400-18U-LT, EN-JS1049		GP240GH+N, 1.0619+N
4		Giude bushing	X20Cr13+QT, 1.4021+QT (hardened)		
5	x	Gasket	Pure graphite (CrNi laminated with graphite)		
6		Stud	25CrMo4, 1.7218		
7		Hexagon nuts	C35E, 1.1181		
8	x	Plug	X20Cr13+QT, 1.4021+QT		
9	x	Clamping sleeve	56Si7, 1.5026		
10	x	Stem	X20Cr13+QT, 1.4021+QT		
12		Stuffing box housing	EN-GJS-400-18U-LT, EN-JS1049		GP240GH+N, 1.0619+N
13		Giude bushing	X20Cr13+QT, 1.4021+QT (hardened)		
17	x	Packing ring	PTFE or Pure graphite		
19	x	Washer	X5CrNi18-10, 1.4301		
20		Packing box flange	EN-GJS-400-15, EN-JS1030		GP240GH+N, 1.0619+N
21		Stud	25CrMo4, 1.7218		
22		Hexagon nuts	C35E, 1.1181		
23		Adapter flange	EN-GJS-400-18U-LT, EN-JS1049		
24		Cheese head screw	8.8		
L Spare parts					

Stem sealings Fig. 422					
17	x	Packing ring	PTFE		
17	x	Packing ring	Pure graphite		
120	x	EPDM-sealing	EPDM / X20Cr13+QT, 1.4021+QT / X8CrNiS18-9, 1.4305		
L Spare parts					




**III. Pure graphite-packing**

**III. EPDM-sealing**

Pos.	Sp.p.	Description	Fig. 12.462	Fig. 22.462	Fig. 34.462 / Fig. 35.462
1		Body	EN-GJL-250 , EN-JL1040	EN-GJS-400-18U-LT, EN-JS1049	GP240GH+N, 1.0619+N
2	x	Seat ring	X20Cr13+QT, 1.4021+QT		
3		Cover	EN-GJS-400-18U-LT, EN-JS1049		GP240GH+N, 1.0619+N
4		Guide bushing	X20Cr13+QT, 1.4021+QT (hardened)		
5	x	Gasket	Pure graphite (CrNi laminated with graphite)		
6		Stud	25CrMo4, 1.7218		
7		Hexagon nuts	C35E, 1.1181		
8	x	Plug	X20Cr13+QT, 1.4021+QT		
9	x	Clamping sleeve	56Si7, 1.5026		
12		Stuffing box housing	EN-GJS-400-18U-LT, EN-JS1049		GP240GH+N, 1.0619+N
13		Guide bushing	X20Cr13+QT, 1.4021+QT (hardened)		
15	x	Stem extension	X20Cr13+QT, 1.4021+QT		
16	x	Clamping sleeve	X10CrNi18-8, 1.4310		
2501		Bellows housing	EN-GJS-400-18U-LT, EN-JS1049		GP240GH+N, 1.0619+N
2502		Mounting bonnet	EN-GJS-400-18U-LT, EN-JS1049		GP240GH+N, 1.0619+N
2503	x	Stem- / Bellows unit	X20Cr13+QT, 1.4021+QT / X6CrNiTi18-10, 1.4541		
2505		Guide bushing	X20Cr13+QT, 1.4021+QT (hardened)		
2506	x	Gasket	Pure graphite (CrNi laminated with graphite)		
2507		Stud	25CrMo4, 1.7218		
2508		Hexagon nuts	C35E, 1.1181		
2509		Straight pin	St		
2510	x	Packing ring	Pure graphite		
2512	x	Washer	X5CrNi18-10, 1.4301		
2517	x	Screw joint	X8CrNiS18-9, 1.4305		
27	x	Gasket	Pure graphite (CrNi laminated with graphite)		
28		Stud	25CrMo4, 1.7218		
29		Hexagon nuts	C35E, 1.1181		
		L Spare parts			

Stem sealings Fig. 462					
120	x	EPDM-sealing	EPDM / X20Cr13+QT, 1.4021+QT / X8CrNiS18-9, 1.4305		
2510	x	Packing ring	Pure graphite		
		L Spare parts			

W. T. Maye, Inc. (WTMI)  
1-877-705-9864  
info@wtmi-usa.com  
www.wtmi-usa.com

W. T. Maye, Inc. (WTMI)  
1-877-705-9864  
info@wtmi-usa.com  
www.wtmi-usa.com

## myValve® - Your Valve Sizing-Program.

myValve® is a powerful software tool that not only helps you size your system components; it also gives you instant access to all other data about the selected product, such as order information, spare parts drawings, operating instructions, data sheets, etc., whenever you need it.



### Contents:

#### Module ARI-control valves STEVI-calculation

- Sizing (calculation of flow quantity Kv, volume flow Q, pressure drop  $\Delta p$ , sound level and selecting the valve.)

### Media:

#### Integrated media-databank (more than 160 media) with conditions:

- Vapours / gases
- Steam (saturated and superheated)
- Liquids

### Special features:

- Project administration of the calculation and product data incl. spare part drawings concerning to project and tag number.
- Direct output or calculation and product data in PDF format.
- Product data could be taken for a direct order.
- SI- and ANSI-units with direct conversion to another databank.
- Settings with over pressure or absolute pressure.
- All ARI valves are integrated in a databank.
- Direct access concerning to the product on data sheets, operating instructions, pressure-temperature-diagram and spare part drawings
- Operation in company networks possible (no complex installations on individually PC's necessary).
- Extensive catalogue extending over several product groups.

### System Requirements:

Windows operating systems, Linux, etc.

W. T. Maye, Inc. (WTMI)  
1-877-705-9864  
info@wtmi-usa.com  
www.wtmi-usa.com